

STAINLESS STEEL BOX PRESSURE GAUGE WITH GLYCERINE



EWC



Size : Diameter 50 to 100
Ends : Male BSP
Min Temperature : + 0°C
Max Temperature : + 60°C
Max Pressure : from -1 to 600 Bars
Specifications : Stainless steel box
Brass mechanism
Brass fitting
Plexiglas glass

Materials : SS 304 box

STAINLESS STEEL BOX PRESSURE GAUGE WITH GLYCERINE

SPECIFICATIONS :

- SS 304 box
- Brass mechanism
- Brass fitting
- With glycerine
- 1 Class for diameter 100
- 1.6 Class for diameter 63
- 2.5 Class for diameter 50
- Protection IP65
- Bottom connection BSP threaded
- Bar / Psi graduation
- With vent security for diameter 100 (Ref.1615 and 1625)

USE :

- Not for viscous or crystallizing liquid
- Hydraulic, Compressed air and shipbuilding
- Min and max Temperature Ts : 0°C to +60°C

RANGE :

- Ø 50 with bottom connection 1/4" , range -1/+1 to 0/60 bars **Ref. 1612**
- Ø 63 with bottom connection 1/4" , range -1/+1 to 0/600 bars and range -15/+15 to 0/9000 psi **Ref. 1613**
- Ø 100 with bottom connection 1/2" , range -1/+1 to 0/600 bars **Ref. 1615**
- Ø 50 with back connection 1/4" , range -1/+1 to 0/60 bars **Ref. 1622**
- Ø 63 with back connection 1/4" , range -1/+1 to 0/600 bars and range -15/+15 to 0/9000 psi **Ref. 1623**
- Ø 100 with back connection 1/2" , range -1/+1 to 0/16 bars **Ref. 1625**

ACCESSORIES :



- Stainless steel flange with 3 holes at 120° for bottom connection type
 - Ø 63 **Ref. 9880110**
 - Ø 100 **Ref. 9880112**



- Stainless steel flange with 3 holes at 120° for back connection type
 - Ø 63 **Ref. 9880111**
 - Ø 100 **Ref. 9880113**



- Steel support with screws
 - Ø 50 **Ref. 9880009**
 - Ø 63 **Ref. 9880010**
 - Ø 100 **Ref. 9880012**



- Copper curl PN25 Male / Female BSP
 - DN 1/4" **Ref. 9880202**
 - DN 1/2" **Ref. 9880204**



- SS curl PN20 Male / Female BSP
 - DN 1/4" **Ref. 9880207**
 - DN 1/2" **Ref. 9880208**

STAINLESS STEEL BOX PRESSURE GAUGE WITH GLYCERINE
ACCESSORIES (SUITE) :


- Carbon steel curl PN25 Male / Male BSP
 - DN 1/4" Ref. 9880200
 - DN 1/2" Ref. 9880201

- Carbon steel curl PN25 U type Male / Male BSP
 - DN 1/4" Ref. 9880205
 - DN 1/2" Ref. 9880206

GRADUATIONS :

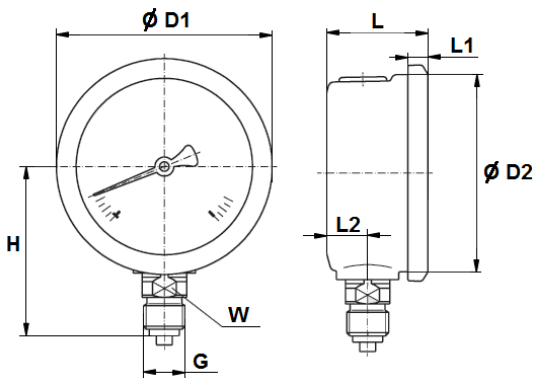
Ref.1612-1622		Ref.1615-1625	Ref. 1613 - 1623			
Range (bar)	Graduation (bar)	Graduation (bar)	Range (bar)	Graduation (bar)	Range (psi)	Graduation (psi)
-1 / +1	0,05	0,05	-1 / +1	0,05	-15/+15	0,5
0 / 1,6	0,02	0,02	0 / 1,6	0,02	0/23	0,5
0 / 2,5	0,05	0,05	0 / 2,5	0,05	0/35	0,5
0 / 4	0,1	0,1	0 / 4	0,1	0/60	1
0 / 6	0,1	0,1	0 / 6	0,1	0/90	2
0 / 10	0,2	0,2	0 / 10	0,2	0/150	2
0 / 16	0,2	0,2	0 / 16	0,2	0/230	5
0 / 25	0,5	0,5	0 / 25	0,5	0/350	5
0 / 40	1	1	0 / 40	1	0/600	10
0 / 60	1	1	0 / 60	1	0/900	20
0 / 100	-	2	0 / 100	2	0/1500	20
0 / 160	-	2	0 / 160	2	0/2300	50
0 / 250	-	5	0 / 250	5	0/3500	50
0 / 400	-	5	0 / 400	10	0/6000	100
0 / 600	-	10	0 / 600	10	0/9000	200

MATERIALS :

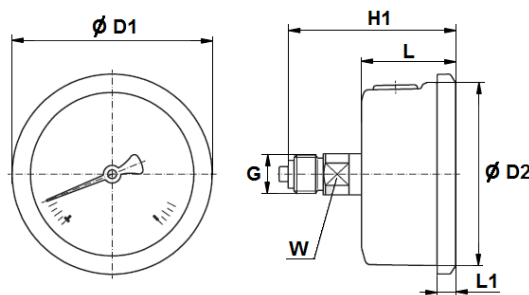
DESIGNATION	MATERIALS
Box	SS 304
Fitting	Brass
Mechanism	Brass
Dial	Duralumin
Glass	Plexiglass
Needle Ø50 and Ø63	Steel
Needle Ø100	Duralumin

STAINLESS STEEL BOX PRESSURE GAUGE WITH GLYCERINE
SIZE (in mm) :

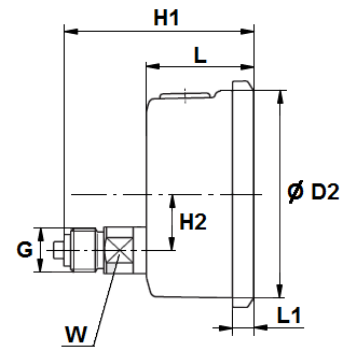
Ref. 1612 – 1613 – 1615



Ref. 1622 – 1623



Ref. 1625



DN	Ø 50 (Ref.1612/1622)	Ø 63 (Ref. 1613/1623)	Ø 100 (Ref.1615/1625)
L2	10	10	16
L	21,8	28,7	43
H1	50,5	57,5	88
Ø D1	54,5	68	105
Ø D2	50	62	100
L1	5,5	6,3	14,5
H2	-	-	27
G	1/4	1/4	1/2
H	48	55	86
W	14	14	22
Weight (kg)	0,15	0,25	0,71

STAINLESS STEEL BOX PRESSURE GAUGE WITH GLYCERINE**STANDARDS :**

- Fabrication according to ISO 9001 : 2008
- Designing according to EN 837-1
- DIRECTIVE 97/23/CE : Products excluded from directive (article 3, § 3)
- Threaded male BSP cylindrical ends according to ISO 228-1

ADVICE : Our opinion and our advice are not guaranteed and SFERACO shall not be liable for the consequences of damages.
The customer must check the right choice of the products with the real service conditions.